



***Sterifast***  
***Steam Jet***  
***Accessories***  
**Product's Information**

# Water canister

- Integrated level control
- Automatic filling of Sterifast steam jet units with integrated pump
- Uninterrupted filling - steam jet unit can remain pressurized

## Technical Data

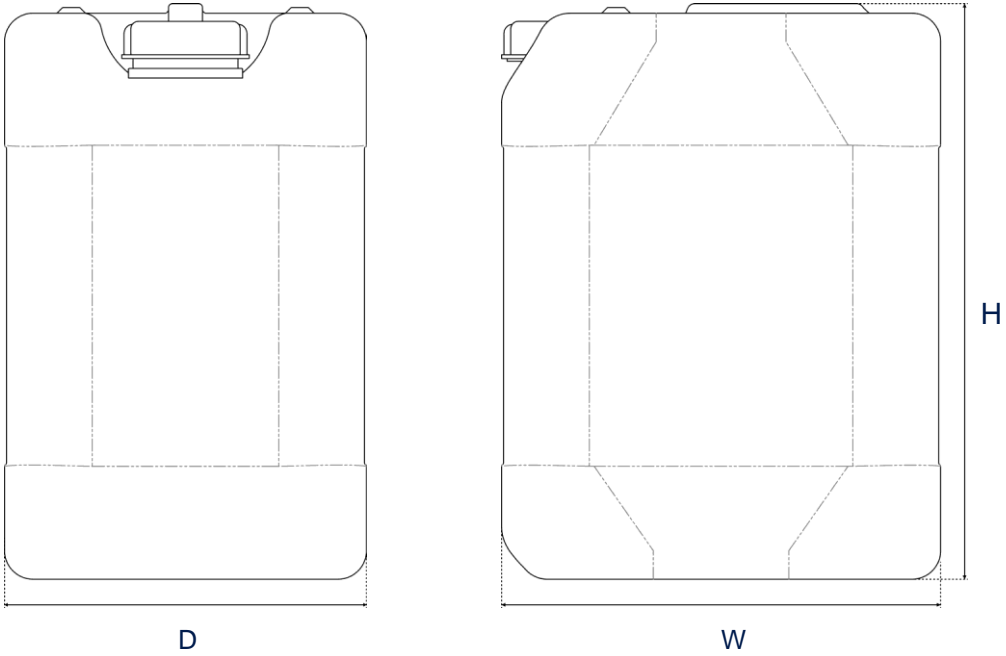
Ext. Dimensions W / D / H (mm)	235 / 195 / 305
Capacity (l)	10,0
Hose length (m)	2,0

## Product contents

- Water canister including connection hose and level control
- Funnel



## Dimension definition



# Evaporating dish

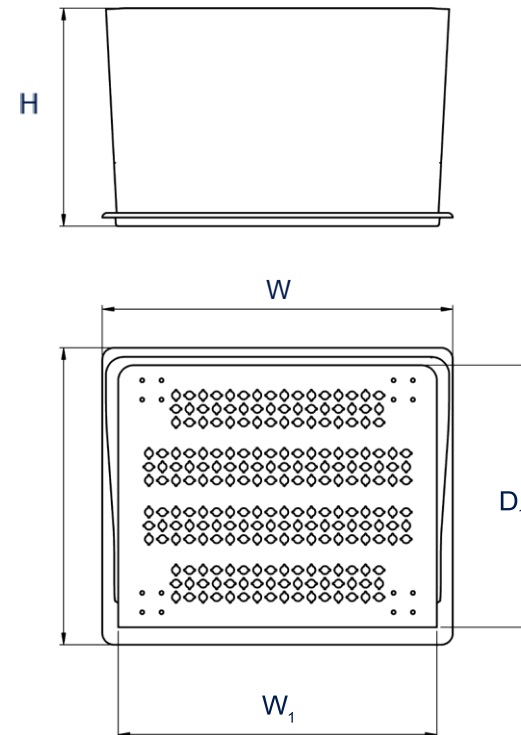
- Condensate and soiling are collected during evaporation, keeping the workplace clean
- Easy to transport and flexible use in the cleaning process
- The individual parts are made of stainless steel and plastic, have a smooth surface and are easy to clean
- The user-friendly holder for the Sterifast steam jet handpiece can be positioned for left or right-handed use
- Bayonet openings in the base plate for attaching e.g. Sterifast pins, base comb
- The base tray can hold up to 2 liters of liquid



## Technical Data

Ext. Dimension W / D / H (mm)	455 / 385 / 285
Int. Dimension $W_1$ / $D_1$ (mm)	410 / 335
Weight (kg)	3,4

## Dimension definition



## Product contents

▪ Bottom tray
▪ Grand plate with handpiece holder
▪ Splash guard with edge protection
▪ Elma Pin



# Water treatment

Water softening unit purity C150 Quell ST

- reduces carbonate hardness in water
- decarbonizes water in four stages: 1. pre-filtration - 2. carbonate hardness reduction - 3. activated carbon filtration - 4. fine filtration
- PURITY C 30 % filter head with fixed cut-off Capacity<sub>1</sub> at a carbonate hardness of 10 °dH = 2,086 liters
- positioning of the filter cartridge: horizontal or vertical
- maximum operating pressure: 8.6 bar



## Technical Data

	Water softening unit	Filter Cartridge	filter head	Connection set	Reduction with seal (2x)	Hose for water connection	Extension hose
Dimension W / D / H (mm)	117 / 104 / 419	104 / 104 / 410	--				
Dimensions	--				3/4" - 3/8"	Ø 10 mm; L= 1 m; 3/4" - 3/4" 90°	Ø 10 mm; L = 2 m; IG 3/4" - AG 3/4" 90°
Capacity at 20° german hardness (L)	500		--				
							

# Sterifast Steam Descaler

- Descaler, citric acid-based, for Sterifast steam jet
- 1 packet is easy and safe to dose
- Odorless and tasteless
- Removes and prevents the build-up of limescale and boiler scale
- Descaling extends the service life, saves energy and expensive repairs

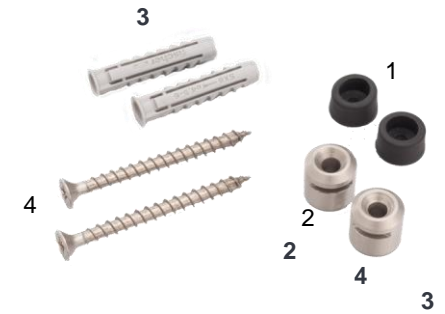
## Product contents

5 packets of Sterifast Steam Descaler (45g each)
--

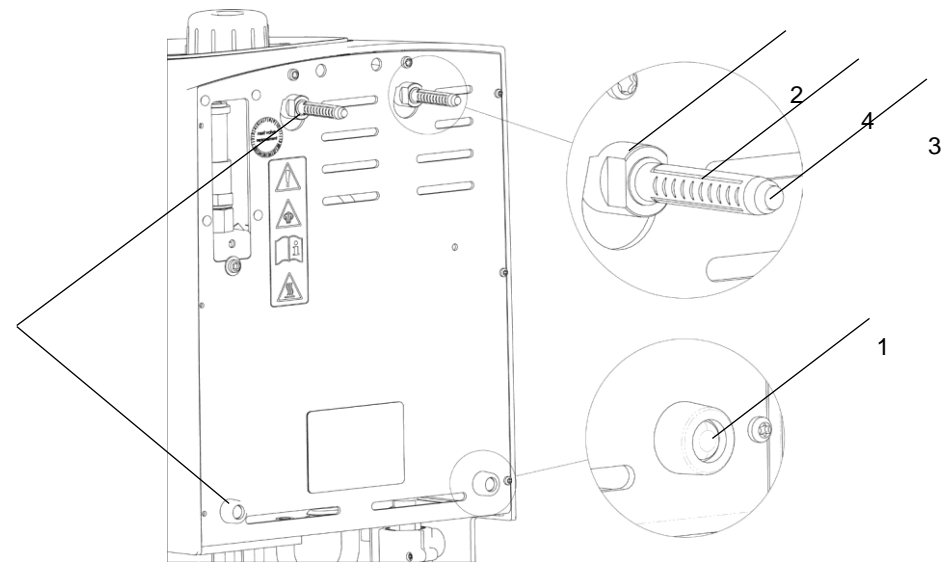
Brief instructions descaling
------------------------------

# Wall bracket

- Parts are made of stainless steel and plastic
- Mounting set for fixing the Sterifast steam jet to the wall



Wall bracket



## Product contents

2x Foot (1)

2x Spacer (2)



2x Dowel (3)

2x Screw (4)

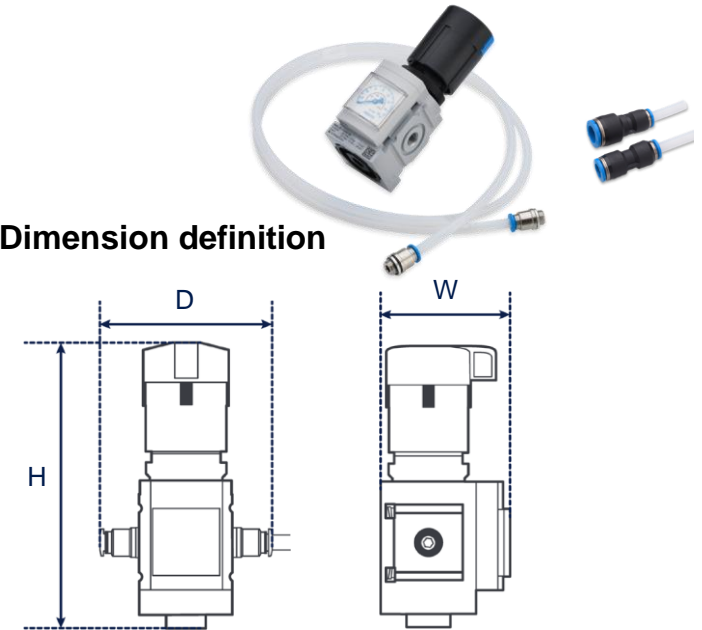
# Compressed air

- the maximum inlet pressure of 6 bar can be reduced accordingly to below 6 bar with the pressure reducer on the Sterifast steam jet

## Technical Data

	Pressure reducer	Adapter set compressed air
Ext. Dimension W / D / H (mm)	60 / 75 / 125	--
		

## Dimension definition



## Product contents

Druckminderer	Adapterset Druckluft
1x Pressure reducer including 2x push-in fitting and 1x 1m hose	1x Plug connector for hose outer diameter 6mm to 8mm
	1x Plug connector for hose outer diameter 6mm to 10mm
	2x 0,35m Hose with outer diameter 6mm

# Medical Adapter Set

## Set of different nozzle attachments

- connectable to an Sterifast med steam cleaner with standardized Luer-Lock adapter
- allows the cleaning of components and instruments with difficult-to-access areas
- storage rack for 8 different attachments
- reliable cleaning for a wide range of applications

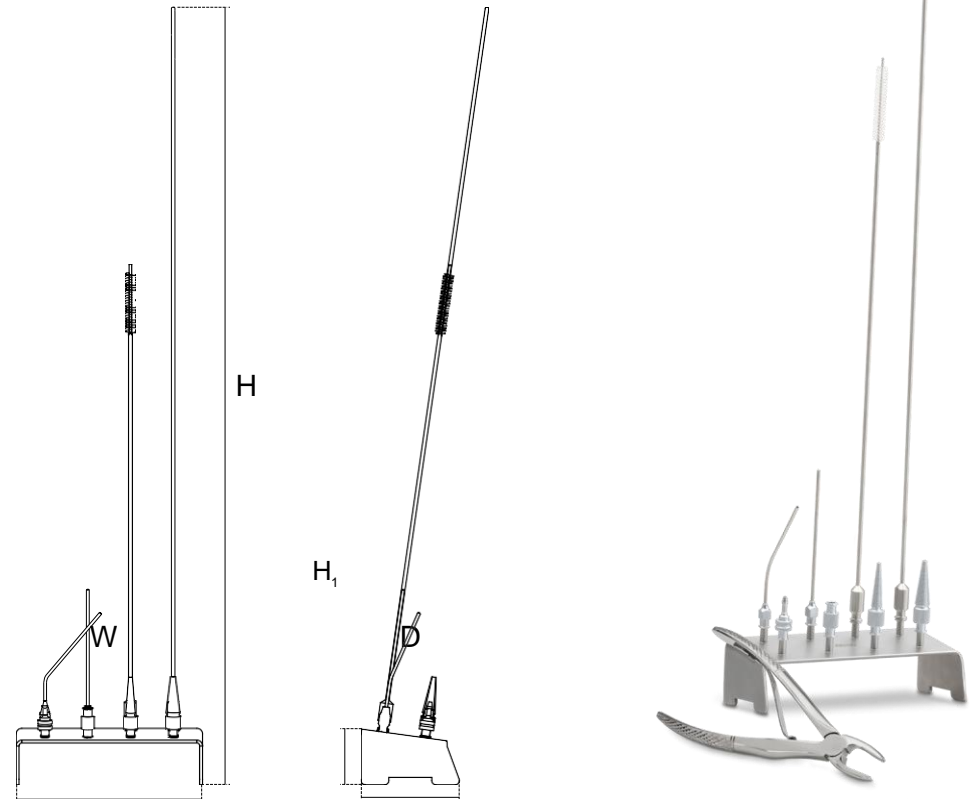
### Technical Data

Ext. Dimension W / D / H (mm)	130 / 70 / 560
Height rack H <sub>1</sub> (mm)	40

### Product contents

1x Storage rack	2x Catheter attachment
2x MIS hollow needle	1x Hose connection
2x Hollow needle attachment	1x Pliers
1x Luer-Lock adapter	


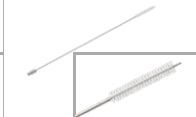







### Dimension definition



# Medical Adapter Set

## Nozzels and Tweezer

### Technical Data

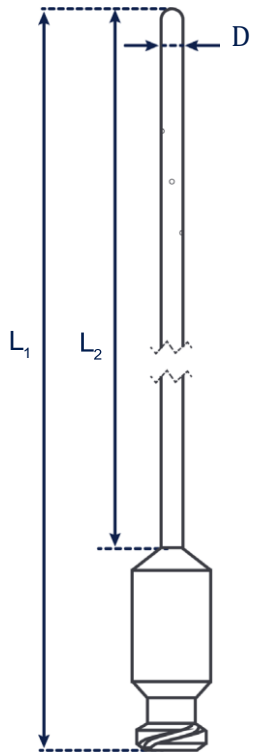
	MIS hollow needle	MIS hollow needle with brush	Hollow need- le attachment straight	Hollow need- le attachment circumflex	Catheter attachment large	Catheter attachment medium	Hose connection large	Adapter Luer-Lock female / female	Pliers
Total length L <sub>1</sub> (mm)	525	338	103	88	44	44	26	21	115
Usable length L <sub>2</sub> (mm)	501	315	84	61	29	29	12	9	16
Diameter D (mm)	2,5	2,5	2	2	2-9	2,5-6,5	3,5	9	--
Width W (mm)	--	--	--	--	--	--	--	--	29
Height H (mm)	--	--	--	--	--	--	--	--	15
									

# Medical Adapter Set

## Dimension definition

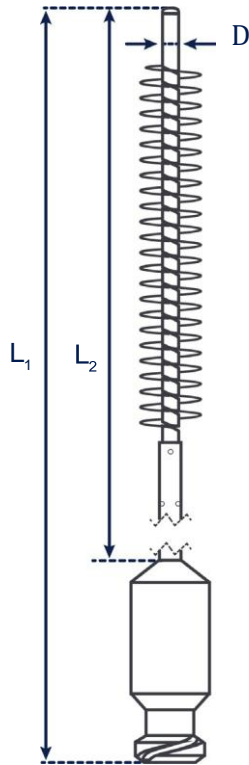
### MIS hollow needle

for tube shafts,  
lateral steam outlet



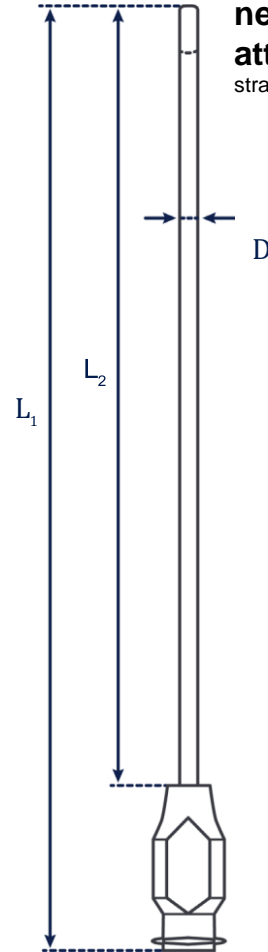
### MIS hollow needle

with brush, for tube shafts,  
steam outlet behind brush hem



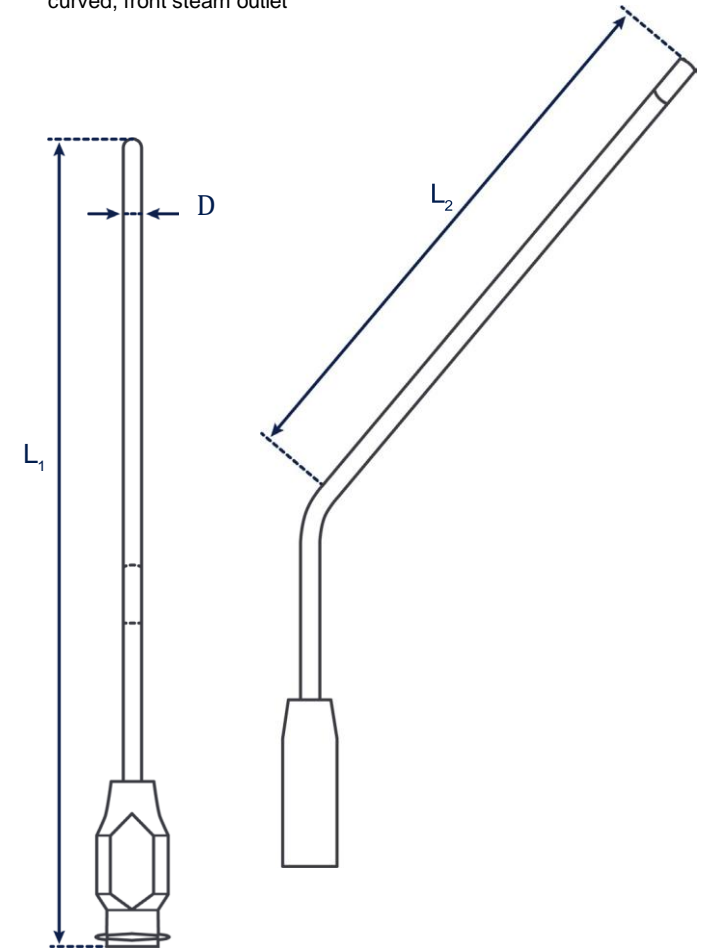
### Hollow needle attachment

straight, front steam outlet



### Hollow needle attachment

curved, front steam outlet

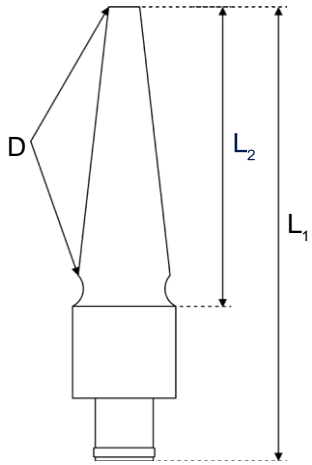


# Medical Adapter Set

## Dimension definition

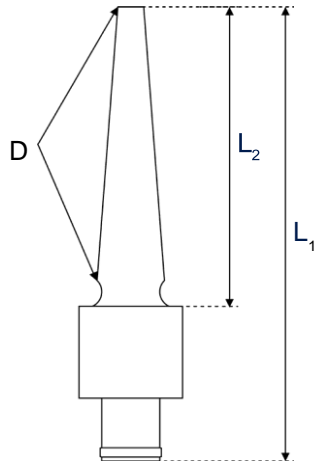
### Catheter attachment

large,  
front steam outlet



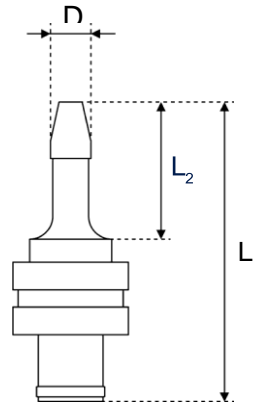
### Catheter attachment

medium,  
front steam outlet



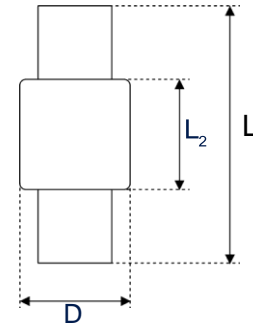
### Hose connection

large,  
front steam outlet

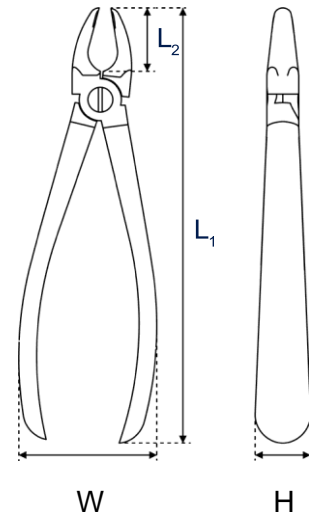


### Adapter Luer-Lock

fem. / fem.,  
front steam outlet



### Pliers



# Practicals

## Plastic Tweezer

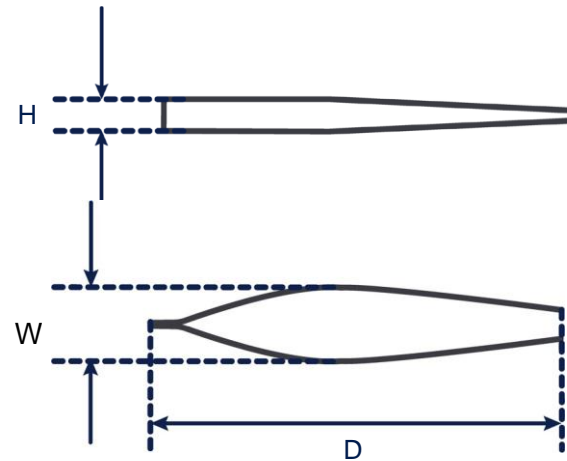
- for precise gripping of cleaning goods without contact of the hands with the cleaning agent



### Technical Data

Ext. Dimension W / D / H (mm)	25 / 130 / 10
-------------------------------	---------------

### Dimension definition






# Practicals

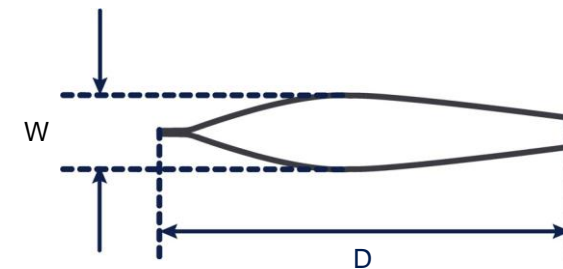
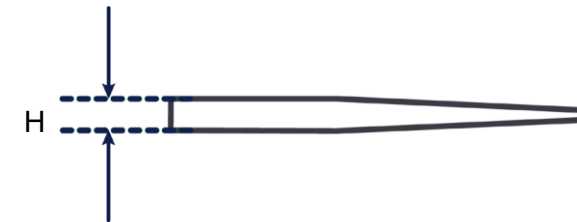
## Stainless steel Tweezer

- the front part of the tweezer has a coating of PVC
- for precise gripping of cleaning goods without contact of the hands with the cleaning agent
- Tweezer have an integrated lock that secures the tweezer when closed

## Technical Data

	Straight short	Straight long	Curved with lock
Ext. Dimension W / D / H (mm)	200 / 25 / 15	300 / 30 / 15	150 / 20 / 15
			

## Dimension definition



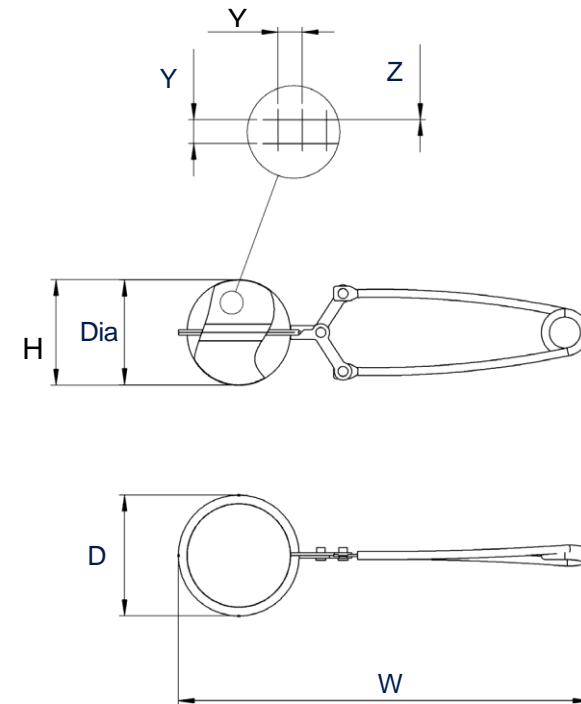
# Practicals

## Screen basket

- Stainless steel - PVC-coated
- Hinged
- Autoclavable



## Dimension definition



## Technical Data

	Small	Big
Ext. Dimension W / D / H (mm)	155 / 45 / 40	185 / 75 / 70
Internal diameter Dia (mm)	35	64
Mesh size Y x Z (mm)	1,0 x 0,2	

# Practicals

## Luer-Lock Adapter for Sterifast steam jet

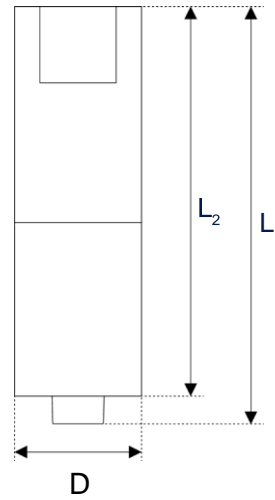
For connecting accessories with Luer-Lock connection, e.g. Medical Adapter Set



### Technical Data

Total length $L_1$ (mm)	33
Usable length $L_2$ (mm)	30
Diameter $D$ (mm)	10

### Dimension definition



# Practicals

## Nozzel

- made of stainless steel and plastic
- control via foot switch allows cleaning with both hands

## Technical Data

	Fixed Nozzle	Nozzle for Sterifast Steam Jet handpiece
Ext. Dimension W / D / H (mm)	140 / 20 / 75	45 / 10
Internal diameter Dia (mm)	2	
		

